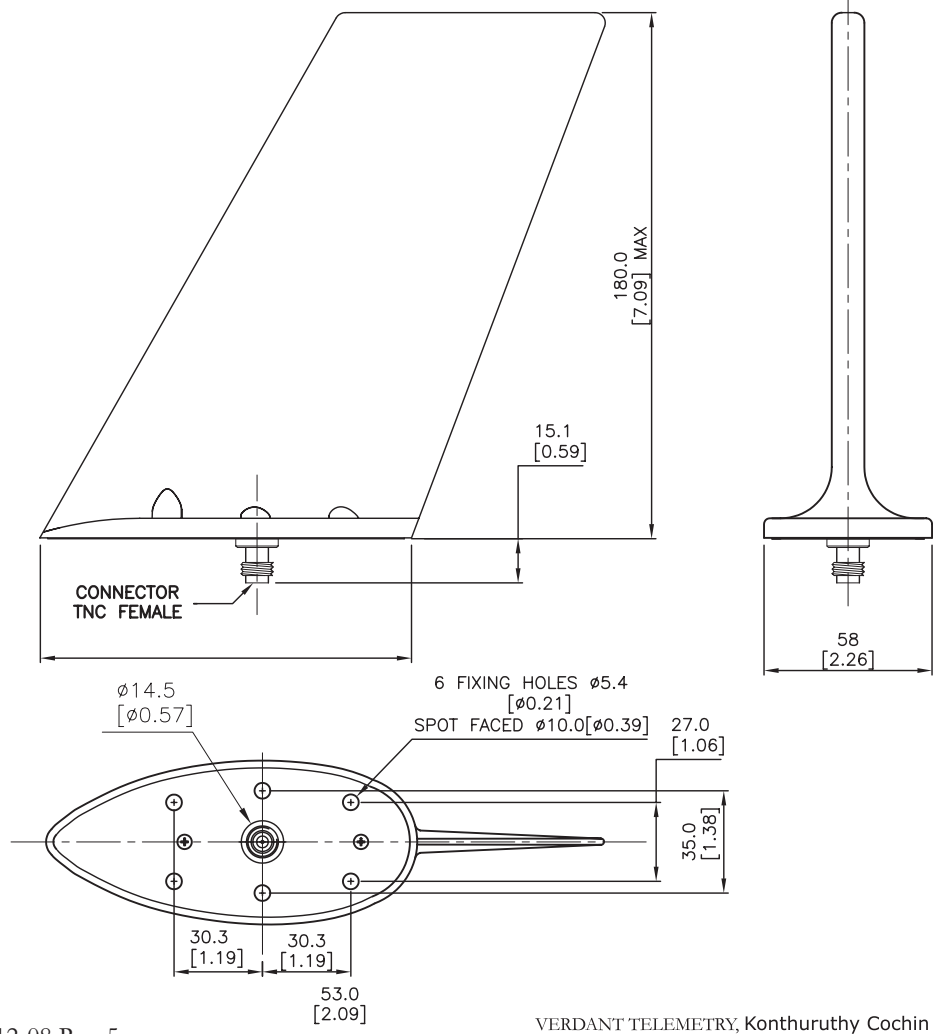




ELECTRICAL	
Frequency Range	225 MHz - 400 MHz
VSWR	2.5:1(max)
Polarization	Vertical
Radiation Pattern	Omnidirectional in azimuth
Impedance RF	50 Ohms Nominal
Static Protection	DC Grounded
Power RF	50 W
MECHANICAL	
Weight	365 grams (max)
Height	180 mm (max)
Material	Glass Epoxy
Finish	Gloss
Connector	See Order Options
ENVIRONMENTAL	
Temperature	-55° C to +90° C -70° C to +120° C (Optional)
Altitude	50000 feet
ORDER OPTIONS	
CONNECTOR	
TNC	Standard
N	Optional
COLOUR	
White	Standard
Black/Other	Optional

JU 801 is a UHF broad band antenna designed to be used for transmission/reception in communication and navigation. These antennas are designed as low profile, low drag blade antennas with excellent aerodynamic properties ideally suited for high performance military aircrafts. The radiating element is encased in a single piece glass fibre reinforced epoxy radome.

\*Contact us for your customized requirements. Use customization sheet at the end



Dimensions are in mm  
Inches shown in bracket